



深圳德彩光电有限公司  
Shenzhen Dicolor Optoelectronics Co., Ltd

# LED模组规格书

## LED MODULE SPECIFICATION

编号 ( NO. ):	DI-P25F2
类型 ( Type ):	Outdoor LED Module
间距 ( Pitch ):	25.0 mm
驱动 ( Driving ):	Static Duty
版本 ( Version ):	1.0



请避免重物挤压灯面!



小心静电损坏LED!



非专业人员请勿维修!

地址:深圳市宝安区福永镇福海大道福海科技工业园B3区2栋4楼

Address:Floor 4,Seat 2,B3 District,FuHai Technology Industry Park,Fuyong Town,Shenzhen,China

电话(Tel):0086-755-29604770/29604771/29604749 传真(Fax):0086-755-29604042

网址(Web):Http//www.dicolor.cn

邮编(Post code):518103



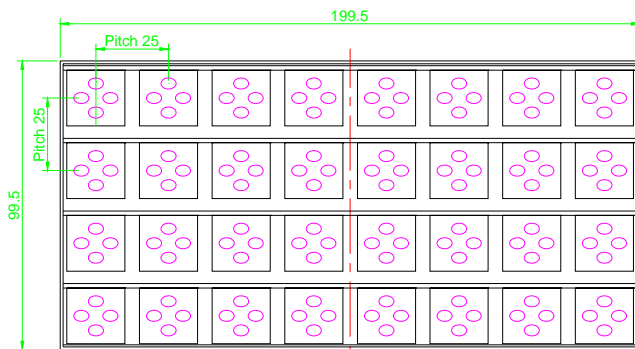
# 深圳德彩光电有限公司

Shenzhen Dicolor Optoelectronics Co.,Ltd

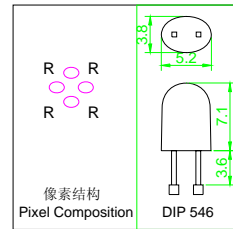
DI-P25F2

户外模组 ( OUTDOOR MODULE )

单位 / Unit : mm



FRONT VIEW

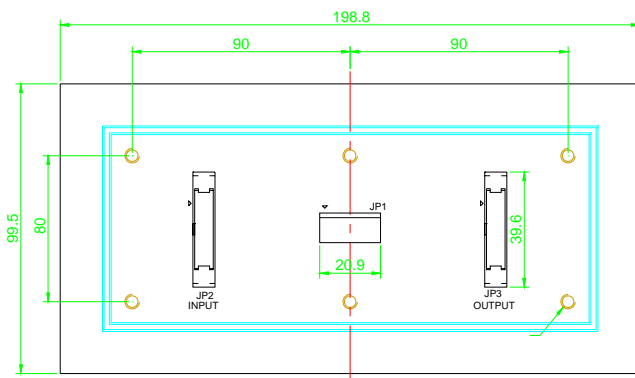


Pin Assignment (Data JP1/JP2 - F.C.16)

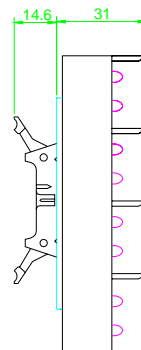
Pin NO.	Function	Pin NO.	Function
1	R0	2	GND
3	GND	4	GND
5	GND	6	GND
7	GND	8	GND
9	CLK	10	GND
11	LAT	12	GND
13	OE	14	GND
15	GND	16	GND

Pin Assignment (Power JP3 - CH5)

Pin NO.	Function
1	VDD
2	VDD
3	VCC
4	GND
5	GND



BACK VIEW



SIDE VIEW



# 深圳德彩光电有限公司

Shenzhen Dicolor Optoelectronics Co.,Ltd

DI-P25F2

户外模组 ( OUTDOOR MODULE )

主要技术指标

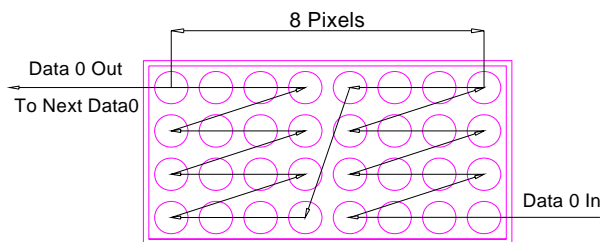
MAIN SPECIFICATIONS

(温度条件 Ta = 25°C)

项目 (ITEM)	参数 DESCRIPTION
像素间距 (Pixel Pitch)	Pitch 25 mm
显示分辨率 (Display resolution)	8 x 4 Dots
像素基色 (Pixel configuration)	4R
物理密度 (Physical density)	1600 ( pixels / m <sup>2</sup> )
驱动方式 (Driving Method)	Static Duty
外形尺寸 (Panel size)	199.5x99.5mm
灰度等级 (Gray scale)	
显示亮度 (Brightness)	2500 ± 10% Nit
模组视角 (Viewing angle)	H:70° / V:30°
最佳视距 (Option distance)	> 25 M
LED封装 (LED Encapsulation)	DIP 546
LED波长 (LED Wavelength)	R:620~635nm
工作电压 (Working Voltage)	DC 5 V
使用功耗 (Working Consumption)	5W
使用寿命 (Life Time)	100,000 Hours
环境温度 (Environment Temperature)	-20° C ~ 60° C
外壳材质 (Material of Module Outside Frame)	PC

数据传输原理图

Drive Data Register Direction



FRONT VIEW (LAMP VIEW)